

Design Data	
Commutation	Brushed
Direction of rotation	Bi-directional
Bearing type	A:Ball - B:Sleeve

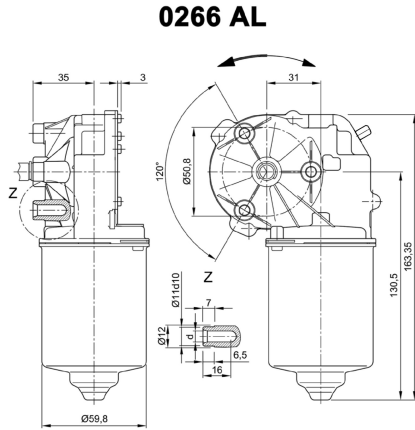
Performance data		
Rated voltage [V]	$U_N$	24
Nominal torque [Nm]	$M_N$	4.00
No-load speed [ $\text{min}^{-1}$ ]	$n_0$	64.0
Nominal power [W]	$P_N$	24.8
Nominal current [A]	$I_N$	4.0
Nominal force [kN]	$F_N$	0.00
Duty cycle		

Sensor data	
Pulses	1
Output channels	1

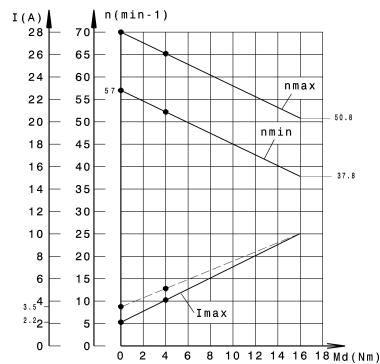
Other data	
Gear ratio	69:1
Gear wheel material	Plastic
Suppression components	2
Enclosure class	IP30
Weight [kg]	0.000

Remarks: d = for thread-forming screw M6 DIN ISO 965-2

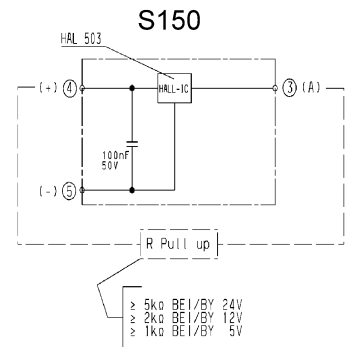
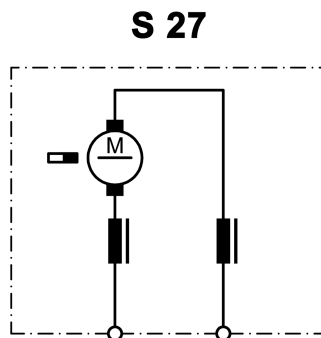
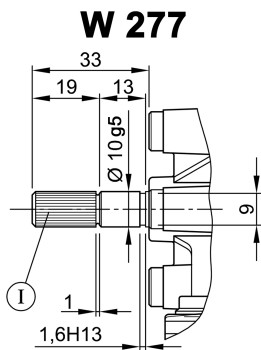
### Characteristic curves



### Motor picture



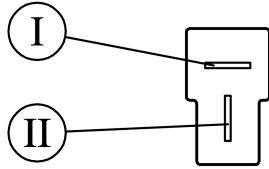
### Output shaft drawing (W), Wiring diagrams (S) and Connector layout (K)



I serration (rolled)  
 no of teeth 28, pitch circle dia 9 mm, tip circle dia 9,6 mm, root circle dia 8,26 mm space width angle 60°  
 goes with go/no go gauge Frenco 33906  
[www.frenco.de](http://www.frenco.de)

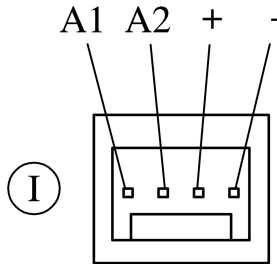
Output shaft drawing (W), Wiring diagrams (S) and Connector layout (K)

**K 320**



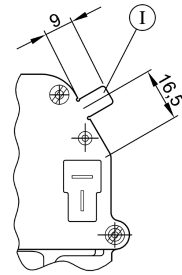
Flat plug (DIN 46244) 6,3x0,8 mating with receptacle housing part#180907, drwg# C-180907 & Receptacles for tabs, conductor cross section 0,5-1,5 sqmm (20-18AWG) part# 925603-x, drwg# 925603 [www.tycoelectronics.com](http://www.tycoelectronics.com)

**K 324**



MAS-CON Solder tail MLAS 100-3435 mating with end connector CE100F-22-xx-x-x or CEP100 F-22-xx-x-x [www.itwpancon.com](http://www.itwpancon.com)

**K 321**



I Ground connection  
 Blade terminal 6.3 x 0.8 DIN 46 244

**Notes**

---



---



---



---



---



---



---



---



---



---



---



---



---



---



---



---



---



---



---



---



---



---